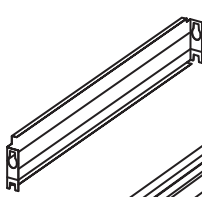




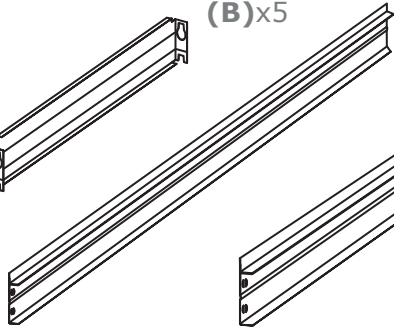
(A)x8



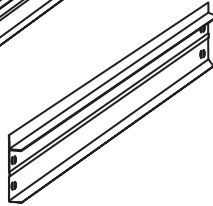
(B)x5



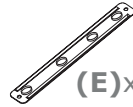
(C)x10



(D)x10



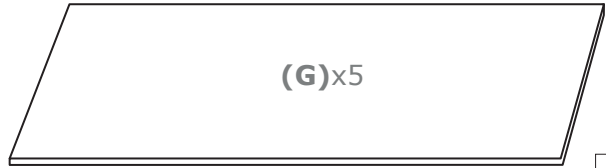
(E)x8



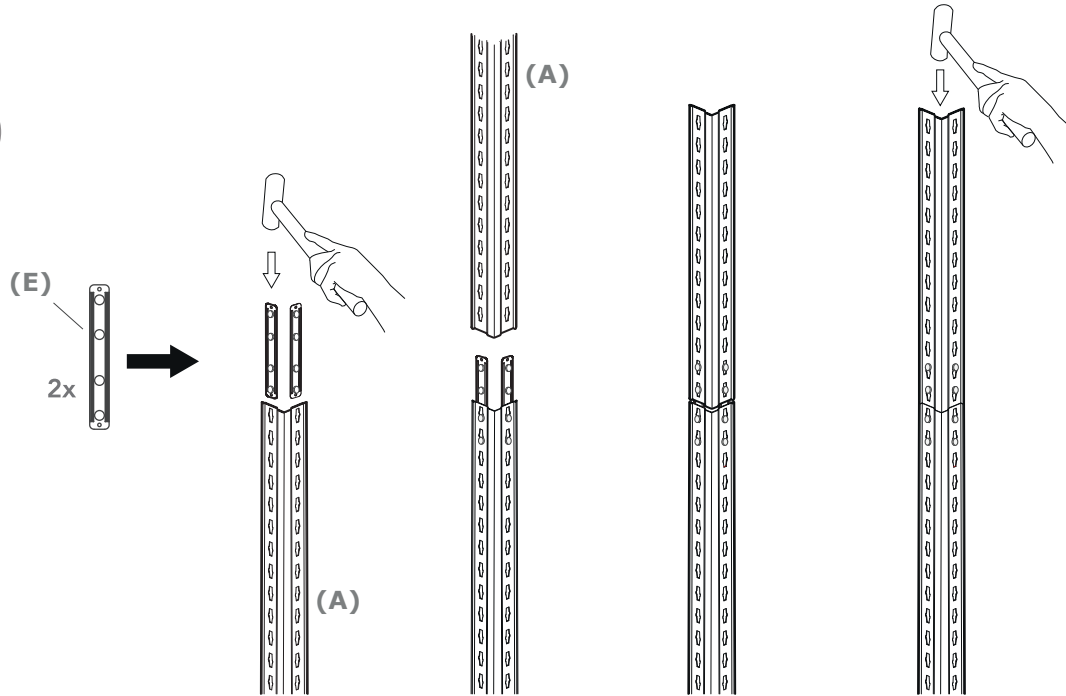
(F)x4



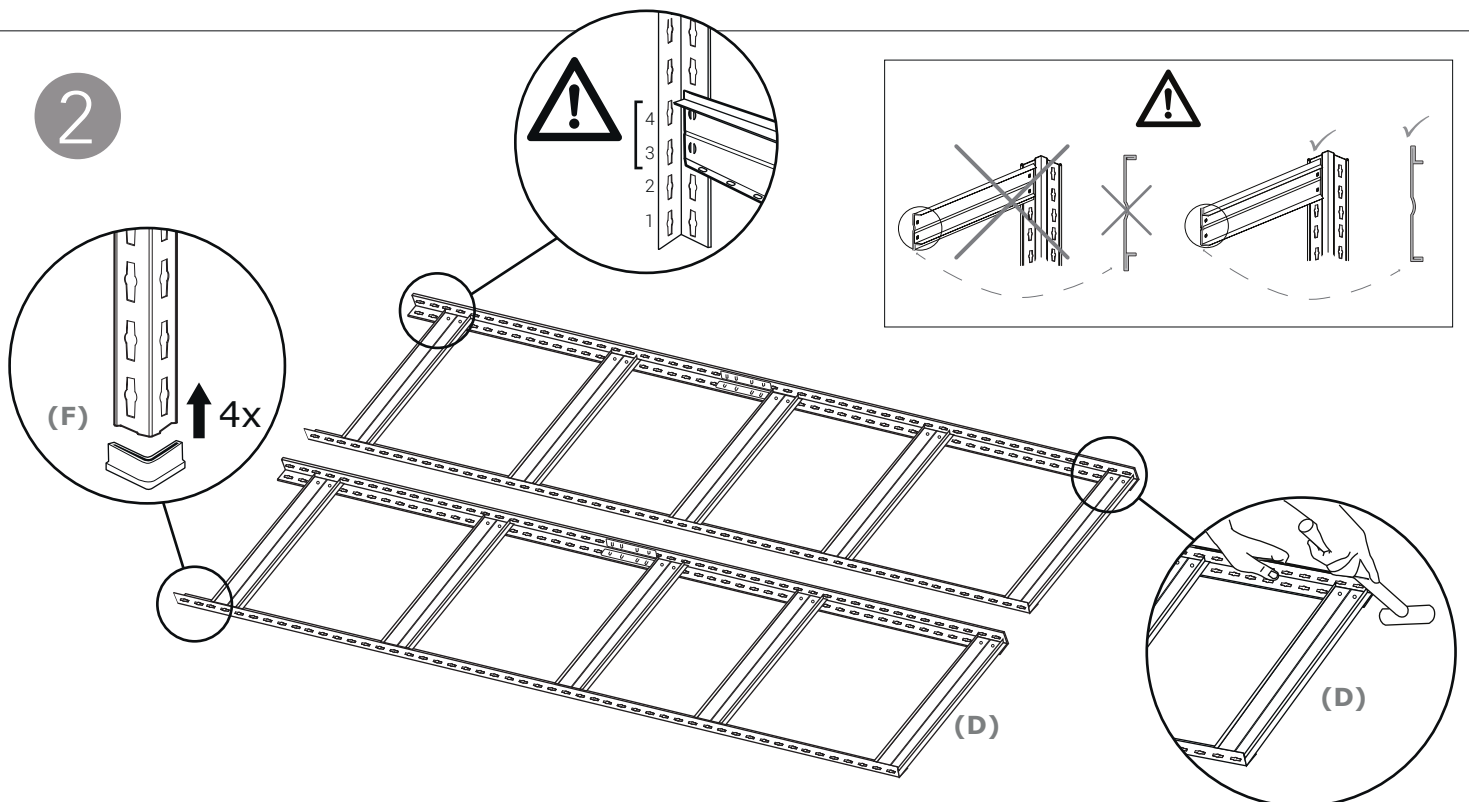
(G)x5



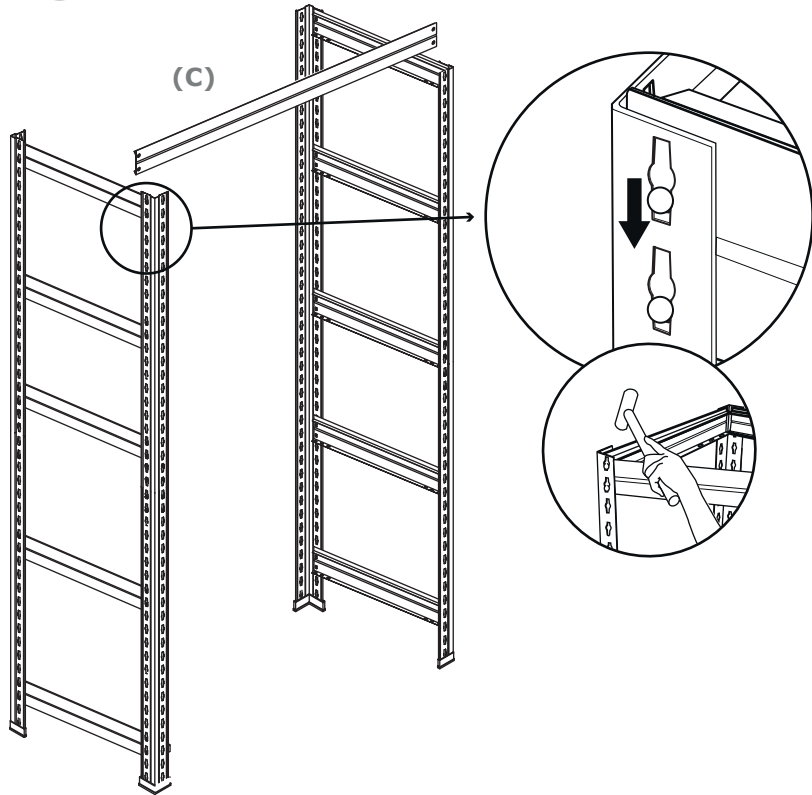
1



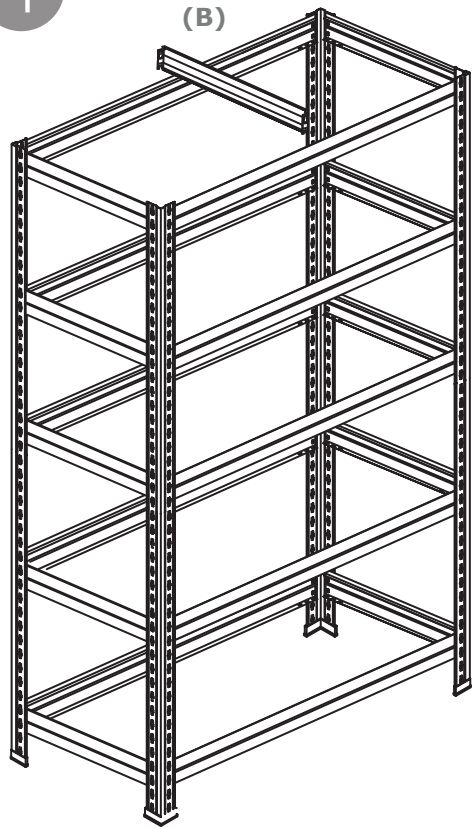
2



3



4



5

